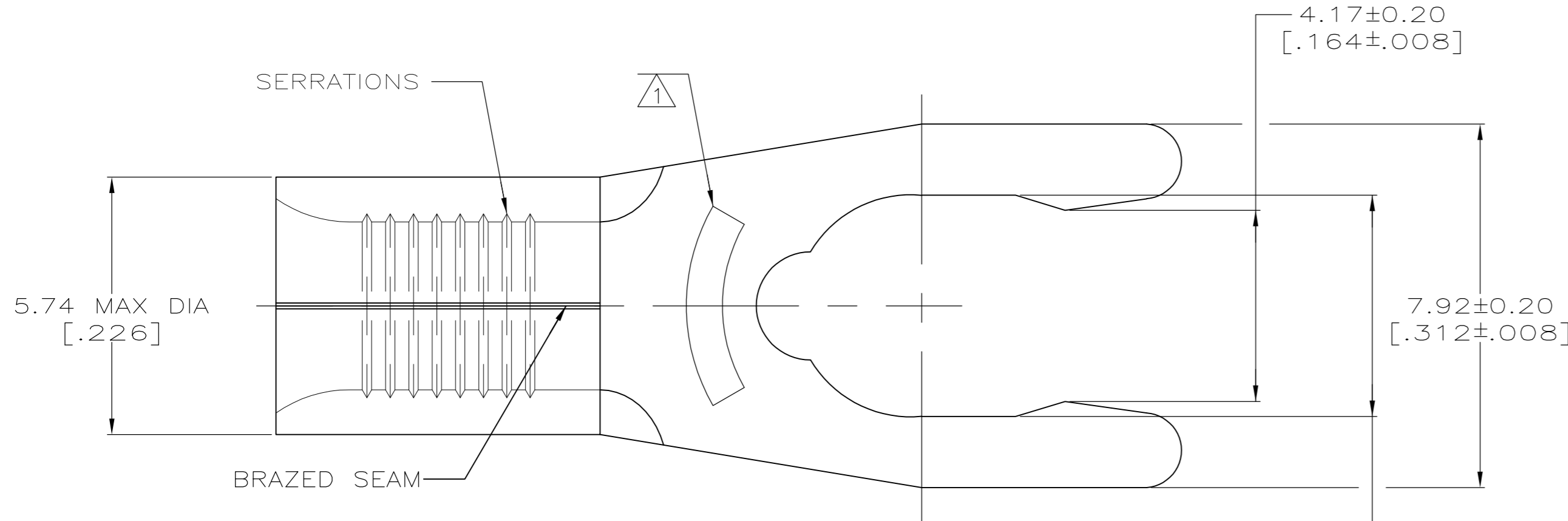
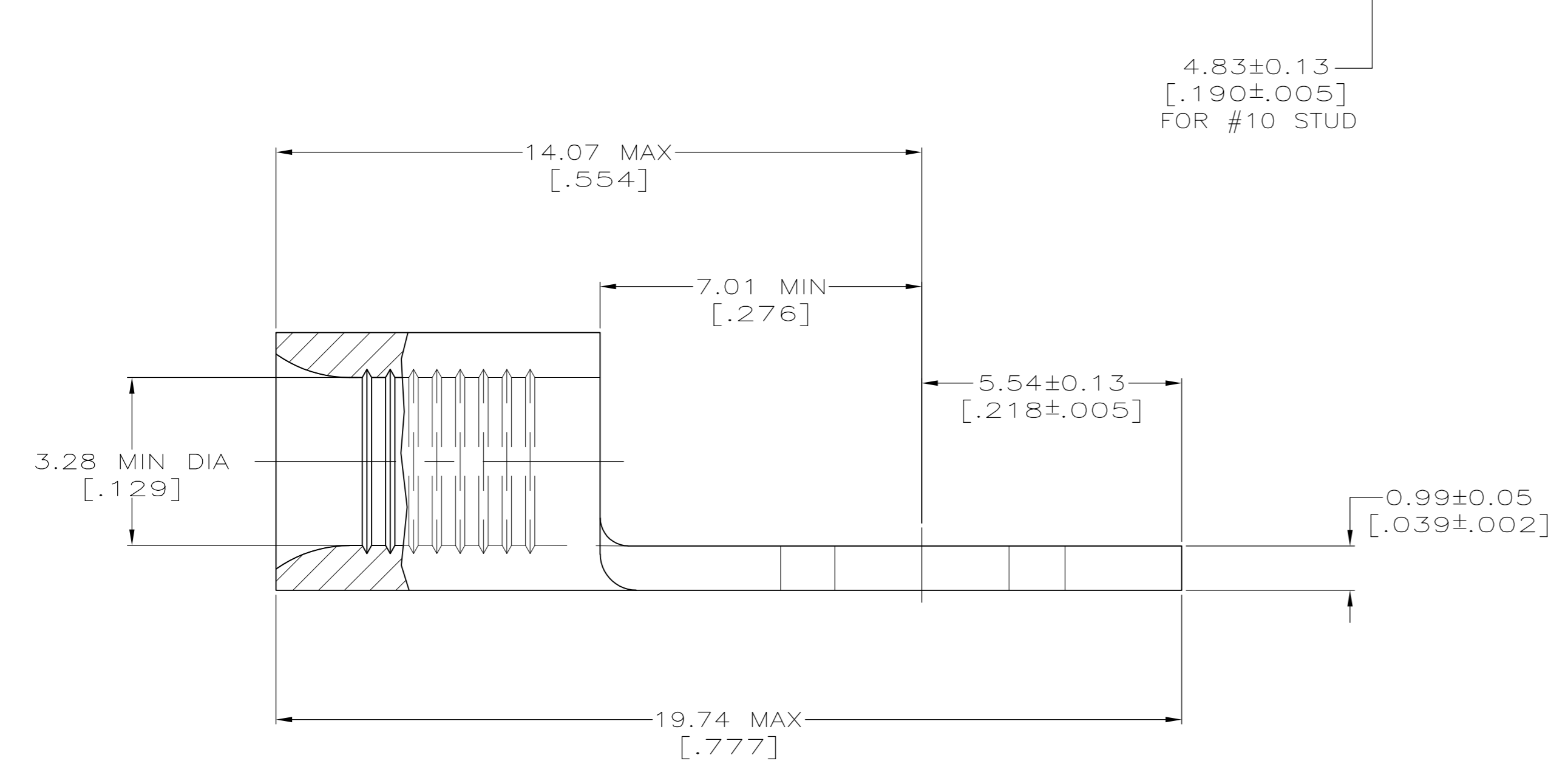


THIS DRAWING IS UNPUBLISHED. RELEASED FOR PUBLICATION  
 © COPYRIGHT BY TYCO ELECTRONICS CORPORATION. ALL INTERNATIONAL RIGHTS RESERVED.

LOC	DIST	REVISIONS			
P	LTR	DESCRIPTION	DATE	DWN	APVD
G	14	C1	REV PER ECR 10-006882	05APR10	JR TM



<b>AMP</b> WIRE RANGE	<b>JL</b> Listed FILE E13288	<b>LR7189</b> Certified
12-10 AWG SOLID OR STRANDED	12-10 AWG STRANDED	12-10 AWG SOLID OR STRANDED



- ① STAMP 10S AMP 12-10\* APPROX AS SHOWN  
10S INDICATES STUD SIZE
- ② PHOS BRONZE PER ASTM B-103, ANNEALED
- ③ TIN PLATE 0.00254 [.000100] MIN  
THK PER ASTM B545

2500	ON TAPE	53836-2
--	LOOSE PIECE	53836-1
QTY	PACKAGING TYPE	PART NO.

MAX RECOMMENDED OPERATING TEMPERATURE: 170°C MAX	THIS DRAWING IS A CONTROLLED DOCUMENT.		DWN TA BRINKMAN 3-29-93	Tyco Electronics Corporation Harrisburg, PA 17105-3608
	VOLTAGE RATING: N/A	DIMENSIONS: MM [ INCHES ]	CHK DA PATTERSON 3-29-93	
CIRCULAR MIL AREA: 2.62-6.64mm² [5,180-13,100] SOLID OR STRANDED		TOLERANCES UNLESS OTHERWISE SPECIFIED: 0 PLC ± - 1 PLC ± - 2 PLC ± - 3 PLC ± - 4 PLC ± - ANGLES ± - FINISH	APVD JL MECKLEY 3-29-93	NAME TERMINAL, SHORT SPRING SPADE, SOLISTRAND
			MATERIAL - ②	FINISH - ③
CUSTOMER DRAWING			SCALE 10:1	SHEET 1 OF 1

53836